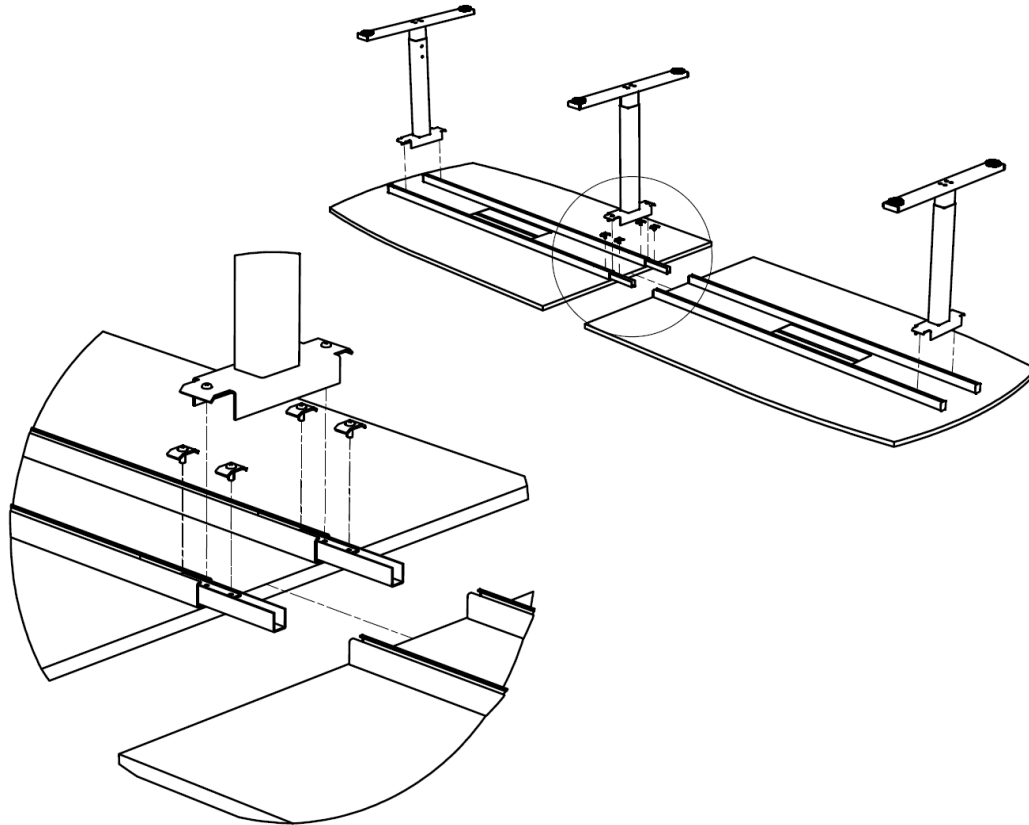


Product: Snitsa conference table – connection.



- Always handle the table inside, within tempered areas.
- Be careful when handling the table, do not scratch or drop etc. Also, before turning the table tops upside-down make sure it is a clean and on a soft material/surface.
- Attach the table legs within the designated edging. Place legs according to the dimensions of the chairs that is going to be used at it. When attaching the legs make sure that the rhomboid nut fastens within the edging, not next to its lines.
- Place the edges of each table top next to one another after that you placed the black brackets inside the edging on one side. Then place it centered between the two table tops and attach the screws on each outer side.
- Then remove the centered screw on both brackets. Place the table leg onto the brackets, centered. Re-attach the screws through the table leg into the brackets.
- When everything is attached, flip the table around by simultaneously lift the table on both sides and in the middle section. Do not slide the table top on the floor.
- Clean the table with a damp cloth (may be a bit dusty after transportation and or assembly in unfinished areas.).