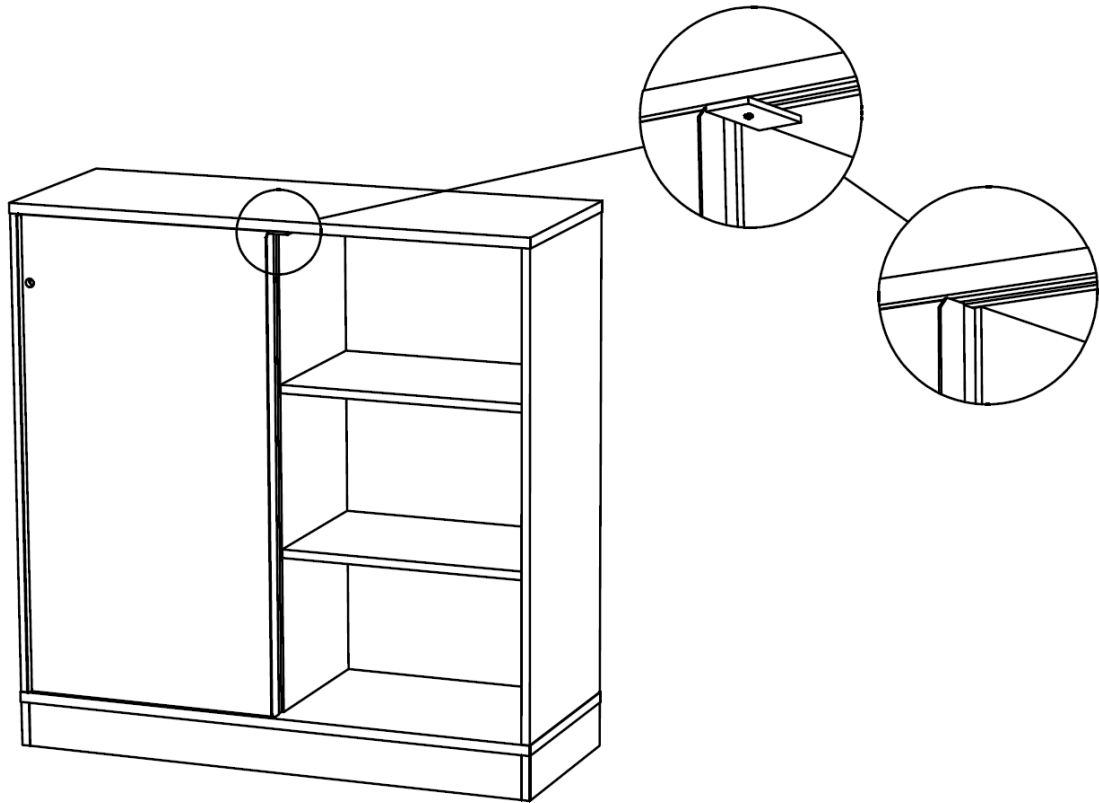


**Product:** Snitsa cabinet with sliding doors.



- Always handle the cabinets inside, within tempered areas.
- Be careful when handling the cabinets, do not scratch or drop etc.
- Remove the transportation safety from the doors as showed on the illustration above.
- If needed adjust the stability on uneven floors by turning the adjustment screws up and down (as found within every outer corner of the cabinets base.).
- Clean the cabinet with a damp cloth (may be a bit dusty after transportation and or assembly in unfinished areas.).